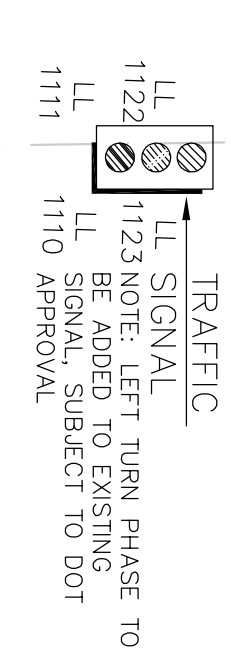


# SITE PLAN

STATE ROUTE 9  
 (R/W VARIES)  
 SPEED LIMIT 45 MPH



COBB COUNTY  
 ROAD (R/W VARIES)

### PAINT STRIPING LEGEND

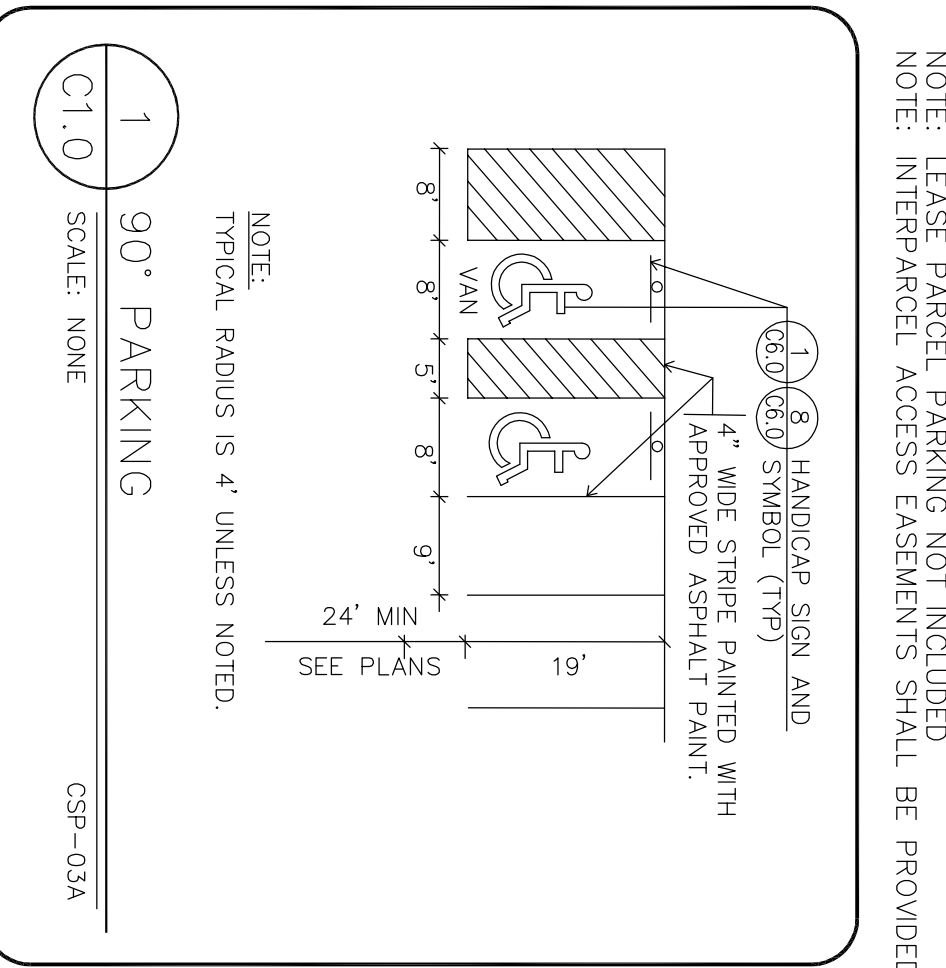
- SWSL/5"-SINGLE WHITE SOLID LINE/5" WIDE
- DYSL/5"-DOUBLE YELLOW SOLID LINE/5" WIDE
- SYSL/5"-SINGLE YELLOW SOLID LINE/5" WIDE
- SMUL/5"-SINGLE WHITE SOLID LINE/5" WIDE
- SWSL/24"-SINGLE WHITE DASHED LINE/5" WIDE
- SMSL/5"-SINGLE WHITE SOLID LINE/5" WIDE
- SWSL/6"-SINGLE WHITE SOLID LINE/6" WIDE

### SITE LEGEND

- PROPOSED BUILDING
- PROPOSED CURB & GUTTER
- PROPOSED WALL
- PROPOSED LINE
- PROPOSED MOVEMENT
- EXISTING MOVEMENT
- NEW PAVING WITHIN D.O.T.
- RIGHT-OF-WAY
- HEAVY DUTY PAVING
- CONCRETE PAVING
- NORMAL DUTY PAVING

### SITE ANALYSIS

RETAIL	32,915 S.F.
PARKING	172 SPACES
PARKING RATIO	5.2 SPACE/M.S.F.
FUTURE OUTBUILDING	3,000 S.F.
PARKING	15 SPACES
PARKING RATIO	5.0 SPACE/M.S.F.
TOTAL BUILDING AREA	35,915 S.F.
OUTLOT AREA	1.5 ACRES
TOTAL SITE AREA	7.1 ACRES



NOTE: TREE SAVE FENCE FOR ENTIRE SITE MUST BE INSTALLED, INSPECTED AND APPROVED PRIOR TO INSTALLATION OF EROSION CONTROL MEASURES. NO LAND DISTURBANCE IS ALLOWED BEFORE TREE SAVE FENCING HAS BEEN APPROVED.  
 NOTE: ALL DIMENSIONS ARE TO FACE OF CURB UNLESS OTHERWISE NOTED

**HILL FOLEY ROSSI & ASSOCIATES, LLC**  
 ARCHITECTURE  
 ENGINEERING  
 SPACE PLANNING  
 3525 Mall Boulevard  
 Suite 6A  
 Duluth, Georgia 30096  
 Phone: 770.622.9858  
 Fax: 770.622.9535  
 WWW.HILLFOLEYROSSI.COM

This drawing and all representations thereof are the property of Hill Foley Rossi & Associates, LLC (HFR). It is to be used only for the project and site identified herein. Reproduction without the written consent of HFR is prohibited. See the Schedule to this project for more project information.

**HENDERSON COMMONS OUTBUILDING**  
 1 3/19/08 CONCEPT REVIEW  
**DATE SUBMITTAL/REVISION**

FOR:  
**OLDERMAN REALTY & DEVELOPMENT**  
 1380 CAMBRIDGE COURT NE  
 ATLANTA, GA 30019  
 (404) 946-2302  
 (404) 946-2303 FAX

GEORGIA HIGHWAY 9 & HENDERSON PARKWAY  
 L.L. 1122, 2ND DISTRICT  
 CITY OF ALPHARETTA  
 FULTON COUNTY, GA.

**OVERALL SITE PLAN**  
**C1.1**  
 HFR # 05-295.3